

IntenCity-WP™

Solid State Wall Pack Luminaire WP14, WP30, WP45



Installation

Luminaire mounts to standard square or round J-box with its own unique adapter plate. Attach fixture plate on box screws to support while wiring.

Electrical connection: 8-inch leads connect to building wiring and ground.

Options

LED CCT or color (590nm)

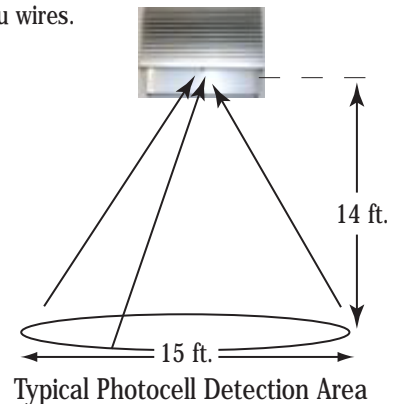
A-Bright White, B-Warm White, C-Cool White

Option Table

Lumens	Watts(VA)	Length	Weight	Part #
1400	30	8"	7 lb	WP14
3000	50	12"	10 lb	WP30
4500	80	18"	13 lb	WP45

Photocell

All units have internal photocell. if not required may be defeated with brn and blu wires.



Applications

Solid-state lighting system for:

- building exteriors and walkways
 - parking garages and ramps
 - stair wells
 - withstands high vibration
 - thrives on sub-zero temperatures
 - Sea Turtle Safe model (Amber)
- White LED versions have superior Color Rendering when replacing HPS, Metal Halide and Mercury Vapor.

Features

1400 lumens with field-adjustable optics. One unit can span from 1 to 3-mounting heights from wall.

Unique integral Photocell requires no opening in housing, no additional wiring, and outlasts LEDs.

Proprietary optics and control system for white or custom color LEDs.

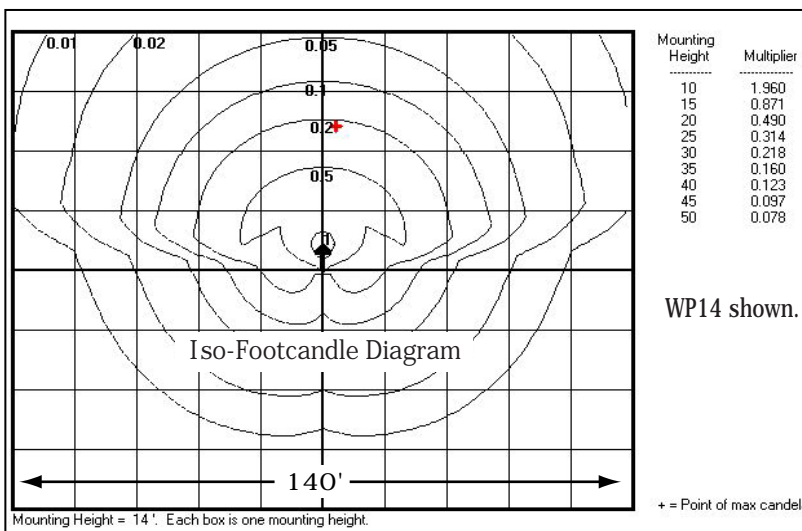
Sealed light engine has no air intake and never needs internal cleaning.

High PF current regulated, solid-state driver, completely encapsulated for weather resistance. Integral 7KA 180-Joule MOV transient protection.

Specifications

Lighting System Light Emitting Diodes
 Input Power Volt Amperes (see table) PF>0.90
 Operating Voltage 100 to 277VAC, 47 to 63 Hz.
 Humidity 0 - 99%
 Dust and Moisture IP66 on Light Unit and PS
 Operating Temperature -40° C to 55° C
 Storage Temperature -40° C to 85° C
 Finish Clear Anodized
 Dimensions 7" H x 3.75" D x (see Option Table)
 Mounting 4" or 6" J-box, round or square
 Weight see Option Table
 Connections 3 x 8" 16 AWG wire leads
 Photocell ON < 1 footcandle, OFF @ > 1.5
 Correlated Color Temperature (CCT) 4,500K
 Compliance to Codes & Standards
 NEC, NEMA, FCC Part 15 Class B
 General Light weight. Sharp optical cutoff, limited trespass, non-glare, 10+ year design life.
 Lumen Maintenance 70% after 50,000 hrs. at 30° C ambient temperature

Construction Heavy gauge aluminum extrusion, clear anodized finish. Gasket sealed flat polycarbonate lens. Mount hinges forward and downward for installation and electrical connections.



IntenCity Lighting, Inc. P.O. Box 487, Dardanelle, AR 72834 (479) 229-0013

IntenCity-2 is a trademark of IntenCity Lighting, Inc. (ILI) All rights reserved. U.S. & International Patent(s) Pending. ILI is not responsible for improper use or application of product. ILI reserves the right to change or improve product specifications without notice.

www.IntenCityLighting.com