

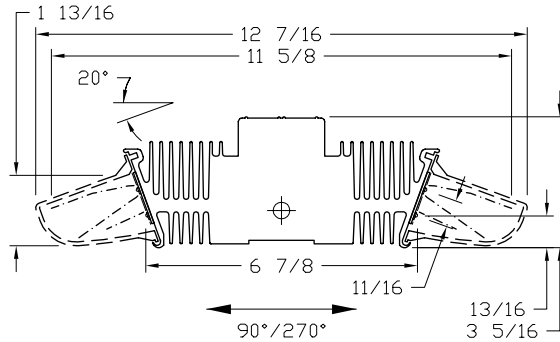


itl boulder
THE LIGHT CENTER OF THE INDUSTRY SINCE 1955

INDEPENDENT TESTING LABORATORIES, INC.
3386 LONGHORN ROAD, BOULDER, CO 80302 USA

PHONE: (303)442-1255 • FAX: (303)449-5274 • E-MAIL: itl@itlboulder.com • WEBSITE: www.itlboulder.com

ISOFOOTCANDLE LINES OF HORIZONTAL ILLUMINATION
Values based on 8 foot mounting height.



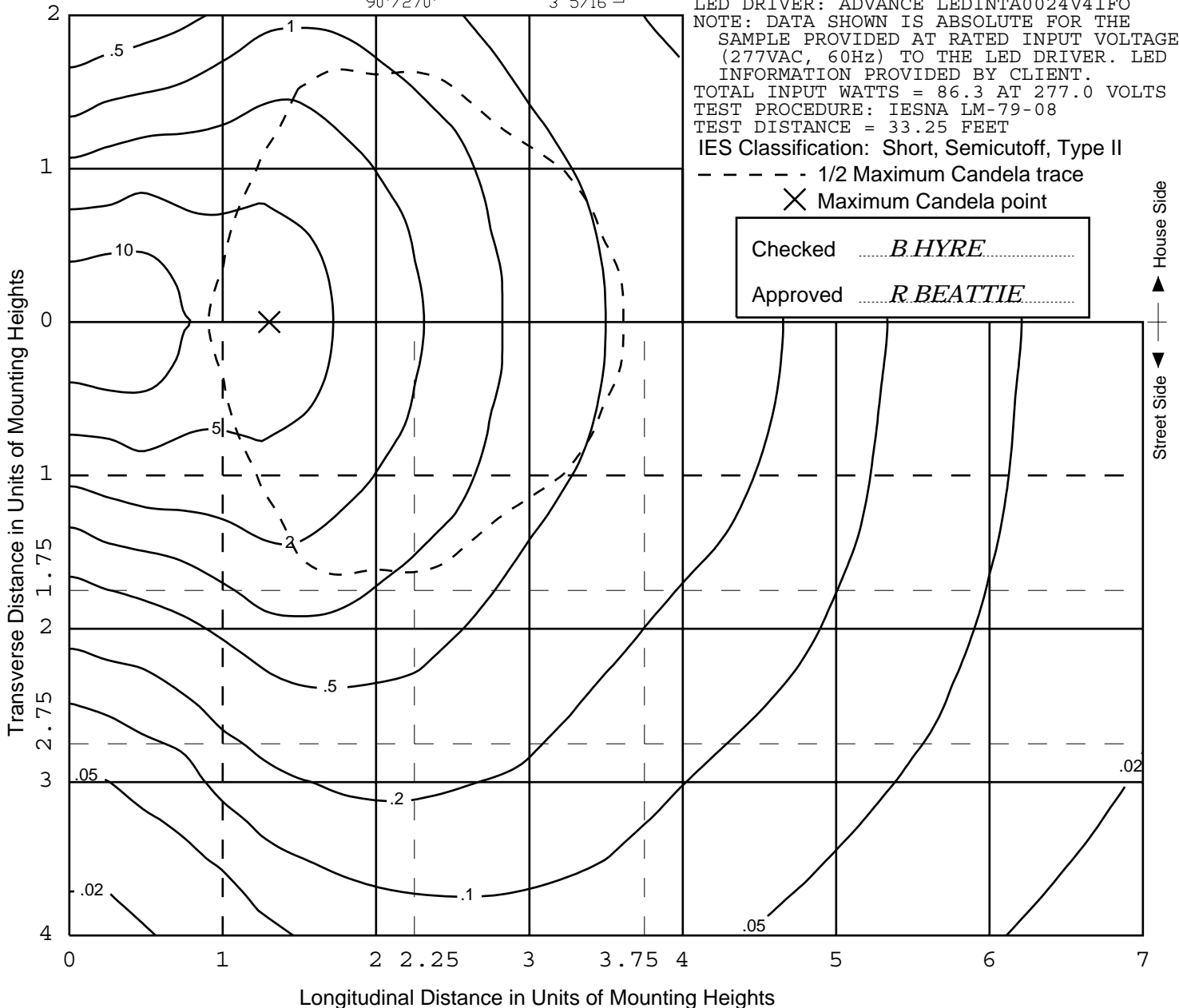
REPORT NUMBER: ITL66947
DATE: 12/22/10
PREPARED FOR: INTENCITY LIGHTING, INC.
CATALOG NUMBER: GL-50
LUMINAIRE: EXTRUDED FINNED DIFFUSE METAL HOUSING/HEAT SINK WITH FLAT METAL END CAPS AND TWO DISTINCT OPTICAL COMPARTMENTS. EACH OPTICAL COMPARTMENT CONSISTS OF: ONE CIRCUIT BOARD WITH 32 LEDS, FABRICATED SEMI-SPECULAR METAL REFLECTOR, CLEAR PLASTIC LENS WITH LINEAR PRISMATIC TOP. LENS PRISMS IN AND PERPENDICULAR TO THE 0-DEGREE PLANE.
LAMPS: SIXTY-FOUR WHITE LIGHT EMITTING DIODES (LEDs), PHILIPS/LUMILED REBEL, TILTED 20-DEGREES BELOW AIMED AT THE HORIZON.

LED DRIVER: ADVANCE LEDINTA0024V41FO
NOTE: DATA SHOWN IS ABSOLUTE FOR THE SAMPLE PROVIDED AT RATED INPUT VOLTAGE (277VAC, 60Hz) TO THE LED DRIVER. LED INFORMATION PROVIDED BY CLIENT.
TOTAL INPUT WATTS = 86.3 AT 277.0 VOLTS
TEST PROCEDURE: IESNA LM-79-08
TEST DISTANCE = 33.25 FEET

IES Classification: Short, Semicutoff, Type II

----- 1/2 Maximum Candela trace

X Maximum Candela point

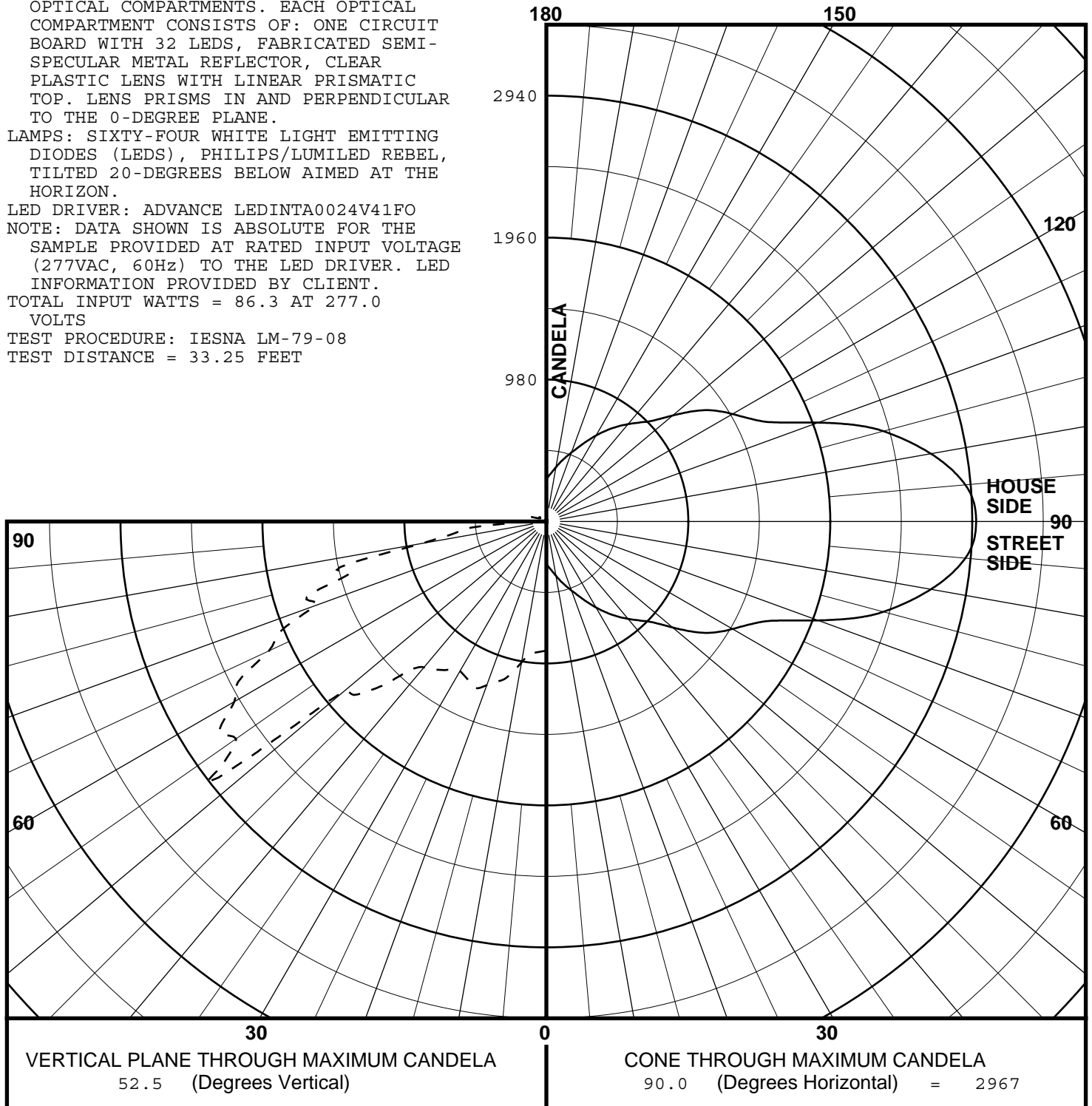


Checked B. HYRE
Approved R. BEATTIE



REPORT NUMBER: ITL66947
 DATE: 12/22/10
 PREPARED FOR: INTENCITY LIGHTING, INC.
 CATALOG NUMBER: GL-50
 LUMINAIRE: EXTRUDED FINNED DIFFUSE METAL HOUSING/HEAT SINK WITH FLAT METAL END CAPS AND TWO DISTINCT OPTICAL COMPARTMENTS. EACH OPTICAL COMPARTMENT CONSISTS OF: ONE CIRCUIT BOARD WITH 32 LEDS, FABRICATED SEMI-SPECULAR METAL REFLECTOR, CLEAR PLASTIC LENS WITH LINEAR PRISMATIC TOP. LENS PRISMS IN AND PERPENDICULAR TO THE 0-DEGREE PLANE.
 LAMPS: SIXTY-FOUR WHITE LIGHT EMITTING DIODES (LEDS), PHILIPS/LUMILED REBEL, TILTED 20-DEGREES BELOW AIMED AT THE HORIZON.
 LED DRIVER: ADVANCE LEDINTA0024V41FO
 NOTE: DATA SHOWN IS ABSOLUTE FOR THE SAMPLE PROVIDED AT RATED INPUT VOLTAGE (277VAC, 60Hz) TO THE LED DRIVER. LED INFORMATION PROVIDED BY CLIENT.
 TOTAL INPUT WATTS = 86.3 AT 277.0 VOLTS
 TEST PROCEDURE: IESNA LM-79-08
 TEST DISTANCE = 33.25 FEET

MAXIMUM PLANE AND MAXIMUM CONE PLOTS OF CANDELA





itl boulder
THE LIGHT CENTER OF THE INDUSTRY SINCE 1955

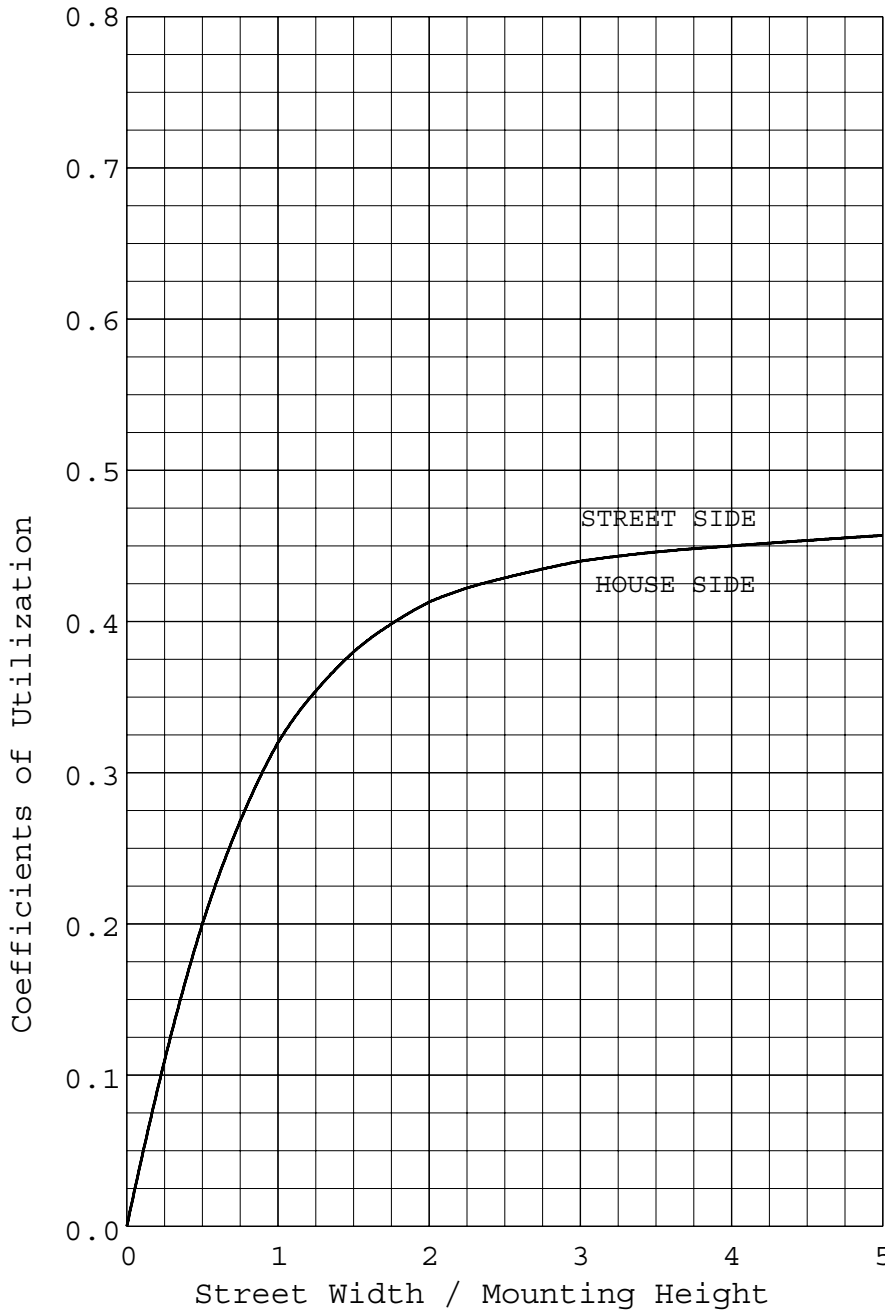
INDEPENDENT TESTING LABORATORIES, INC.
 3386 LONGHORN ROAD, BOULDER, CO 80302 USA

PHONE: (303)442-1255 • FAX: (303)449-5274 • E-MAIL: itl@itlboulder.com • WEBSITE: www.itlboulder.com

REPORT NUMBER: ITL66947
 PREPARED FOR: INTENCITY LIGHTING, INC.

DATE: 12/22/10

COEFFICIENTS OF UTILIZATION AND FLUX DISTRIBUTION



	LUMENS	PERCENT OF FIXTURE
DOWNWARD STREET SIDE	2932	47.2
DOWNWARD HOUSE SIDE	2932	47.2
DOWNWARD TOTAL	5865	94.3
UPWARD STREET SIDE	177	2.8
UPWARD HOUSE SIDE	177	2.8
UPWARD TOTAL	354	5.7
TOTAL FLUX	6219	100.0
EFFICACY = 72.1 Lm/W		

ALL CANDELA AND LUMENS IN THIS REPORT ARE BASED ON ABSOLUTE PHOTOMETRY. THE COEFFICIENT OF UTILIZATION VALUES ARE BASED ON THE TOTAL ABSOLUTE LUMEN OUTPUT OF THIS LUMINAIRE SAMPLE.



itl boulder
THE LIGHT CENTER OF THE INDUSTRY SINCE 1955

INDEPENDENT TESTING LABORATORIES, INC.
 3386 LONGHORN ROAD, BOULDER, CO 80302 USA

PHONE: (303)442-1255 • FAX: (303)449-5274 • E-MAIL: itl@itlboulder.com • WEBSITE: www.itlboulder.com

REPORT NUMBER: ITL66947
 DATE: 12/22/10
 PREPARED FOR: INTENCITY LIGHTING, INC.

FLUX DISTRIBUTION BY SOLID ANGLE

(PER IESNA TM-15-07, LUMINAIRE CLASSIFICATION SYSTEM FOR OUTDOOR LUMINAIRES)

	LUMENS	PERCENT OF FIXTURE	BUG ZONE RATINGS
FORWARD LIGHT	2932.	47.2	
FL (0- 30)	421.2	6.8	
FM (30- 60)	1281.7	20.6	
FH (60- 80)	1065.7	17.1	G1
FVH(80- 90)	163.9	2.6	U3 G1
BACK LIGHT	2932.	47.2	
BL (0- 30)	421.2	6.8	B1
BM (30- 60)	1281.7	20.6	B2
BH (60- 80)	1065.7	17.1	B3 G3
BVH(80- 90)	163.9	2.6	U3 G1
UPLIGHT	354.	5.7	
UL (90-100)	93.5	1.5	U2
UH (100-180)	261.0	4.2	U3
TRAPPED LIGHT	0.	0.0	
TOTAL FLUX	6219.	100.0	

BACKLIGHT, UPLIGHT, AND GLARE (BUG) RATINGS
 (PER ADDENDUM A FOR IESNA TM-15-07)

BUG RATING: B3 U3 G3



itl boulder

THE LIGHT CENTER OF THE INDUSTRY SINCE 1955

INDEPENDENT TESTING LABORATORIES, INC.
3386 LONGHORN ROAD, BOULDER, CO 80302 USA

PHONE: (303)442-1255 • FAX: (303)449-5274 • E-MAIL: itl@itlboulder.com • WEBSITE: www.itlboulder.com

REPORT NUMBER: ITL66947
PREPARED FOR: INTENCITY LIGHTING, INC.

DATE: 12/22/10

CANDELA TABULATION

	LATERAL ANGLE											
	0.0	5.0	15.0	25.0	35.0	45.0	55.0	65.0	75.0	85.0	90.0	
	180.0	36.	36.	36.	36.	36.	36.	36.	36.	36.	36.	36.
	175.0	37.	36.	37.	37.	37.	37.	38.	38.	38.	38.	38.
	165.0	30.	30.	31.	33.	35.	37.	37.	38.	39.	39.	40.
	155.0	27.	28.	29.	31.	32.	36.	44.	48.	53.	54.	55.
	145.0	30.	31.	32.	36.	40.	42.	47.	55.	62.	63.	62.
	135.0	30.	35.	34.	36.	41.	50.	47.	42.	39.	38.	39.
	125.0	27.	29.	31.	38.	40.	37.	53.	54.	56.	57.	56.
	115.0	32.	43.	32.	36.	40.	48.	53.	55.	53.	51.	51.
	105.0	26.	33.	29.	34.	49.	68.	102.	141.	164.	123.	117.
	95.0	18.	23.	30.	73.	70.	73.	84.	107.	135.	99.	102.
	92.5	16.	22.	33.	60.	63.	79.	101.	137.	135.	120.	127.
	90.0	18.	24.	41.	66.	72.	118.	133.	193.	167.	175.	171.
	87.5	21.	24.	51.	102.	126.	184.	204.	255.	243.	256.	249.
	85.0	21.	26.	63.	169.	228.	340.	390.	475.	508.	532.	553.
V	82.5	28.	33.	74.	288.	377.	526.	449.	536.	595.	658.	648.
E	80.0	38.	42.	106.	293.	572.	699.	841.	945.	912.	846.	870.
R	77.5	51.	58.	142.	366.	666.	922.	888.	1073.	1329.	1439.	1460.
T	75.0	72.	73.	162.	442.	797.	1033.	1165.	1165.	1292.	1411.	1417.
I	72.5	89.	92.	173.	483.	876.	1239.	1301.	1376.	1692.	1742.	1734.
C	70.0	105.	117.	189.	466.	962.	1320.	1518.	1796.	1700.	1721.	1702.
A	67.5	128.	142.	213.	439.	1036.	1467.	1576.	1766.	1951.	1982.	1990.
L	65.0	159.	183.	246.	437.	992.	1510.	1725.	1954.	2010.	2083.	2113.
	62.5	192.	218.	289.	452.	832.	1512.	1822.	2059.	2304.	2382.	2400.
A	60.0	215.	244.	329.	474.	806.	1298.	1743.	2165.	2483.	2475.	2488.
N	57.5	241.	273.	372.	505.	769.	1087.	1782.	2110.	2506.	2631.	2676.
G	55.0	261.	296.	405.	537.	767.	1041.	1399.	2400.	2373.	2523.	2615.
L	53.0	284.	325.	434.	580.	781.	984.	1337.	1643.	2696.	2888.	2809.
E	52.5<<	291.	331.	441.	588.	784.	973.	1340.	1639.	2409.	2904.	2967.
	50.0	333.	367.	470.	647.	812.	955.	1225.	1556.	1783.	1777.	1820.
	47.5	369.	400.	495.	705.	845.	962.	1137.	1420.	1650.	1713.	1767.
	45.0	420.	442.	523.	749.	892.	973.	1123.	1285.	1454.	1570.	1603.
	42.5	475.	483.	547.	783.	943.	990.	1113.	1244.	1318.	1368.	1391.
	40.0	528.	533.	577.	807.	994.	1027.	1106.	1208.	1272.	1301.	1314.
	37.5	583.	580.	617.	816.	1044.	1060.	1113.	1183.	1229.	1272.	1286.
	35.0	636.	633.	650.	818.	1073.	1102.	1129.	1176.	1203.	1235.	1252.
	30.0	727.	716.	714.	819.	1074.	1151.	1197.	1204.	1193.	1193.	1193.
	25.0	777.	777.	772.	836.	1005.	1141.	1185.	1237.	1241.	1234.	1231.
	20.0	811.	811.	813.	850.	939.	1055.	1132.	1163.	1188.	1202.	1202.
	15.0	836.	838.	843.	861.	898.	963.	1026.	1074.	1109.	1126.	1127.
	10.0	862.	865.	868.	879.	887.	900.	923.	946.	974.	980.	988.
	5.0	878.	878.	878.	884.	889.	894.	897.	903.	908.	910.	908.
	0.0	892.	892.	892.	892.	892.	892.	892.	892.	892.	892.	892.

PLANE OF MAXIMUM CANDELA

CONE OF MAXIMUM CANDELA